



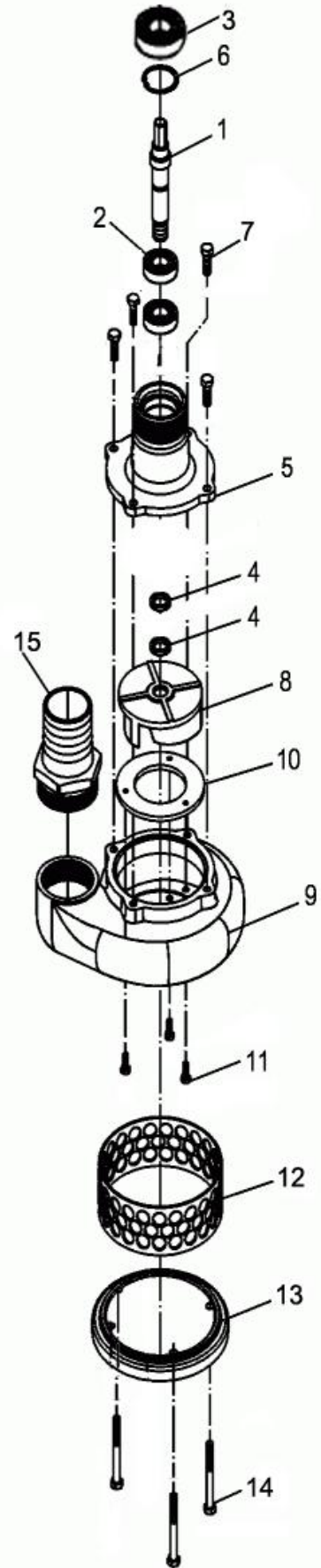
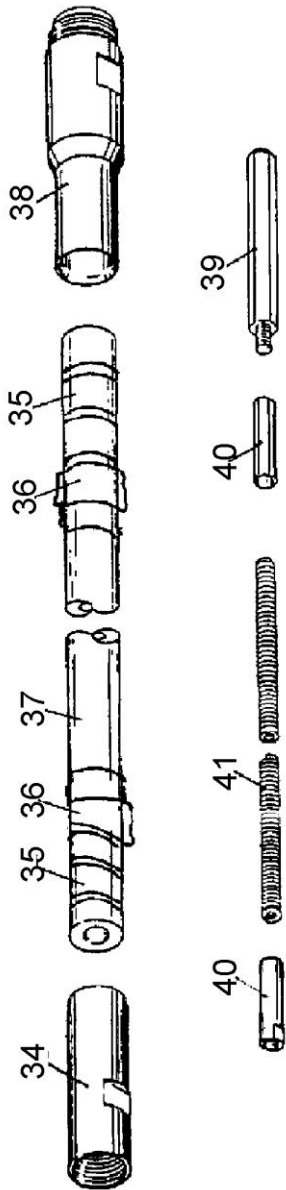
CPI-SALINA

Constructeur de Pompes Industrielles

Nomenclature des pièces



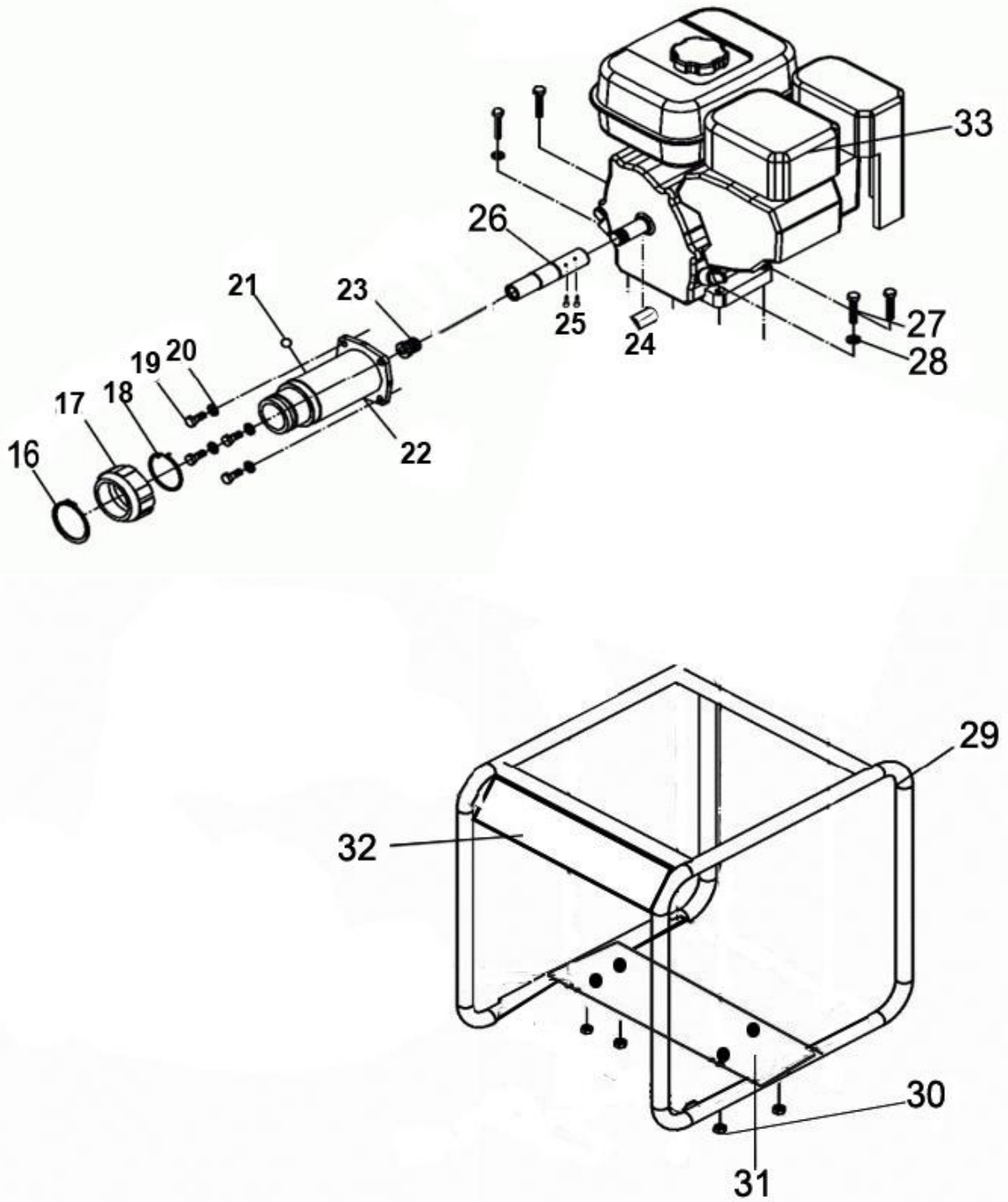
Nomenclature des pièces
Pompe à câble 5m CPI



Nomenclature des pièces
Pompe à câble 5m CPI

ITEM NO.	PARTS NO.	DESCRIPTION	QTY	REMARK
1	PSP.02.12	CRANKSHAFT	1	
2	PSP.02.10	GROOVED BALL BEARING	2	
3	PSP.02.13	NUT	1	
4	PSP.02.09	SEAL RING 20X32X8	2	
5	PSP.02.15	BEARING HOUSING	1	
6	PSP.02.14	RETAINING RING	1	
7	PSP.02.11	SCREW M8X25	4	
8	PSP.02.07	IMPELLER	1	
9	PSP.02.04	PUMP HOUSING	1	
10	PSP.02.05	RETAINING PLATE	1	
11	PSP.02.06	SCREW M6X12	3	
12	PSP.02.02	FUEL FILTER SCREEN	1	
13	PSP.02.01	FLOOR OFFER	1	
14	PSP.02.03	SCREW M6X55	3	
15	PSP.02.08	OUTLET G2"、G3"	1	
34	PSP.01.01	HOSE JOINT A	1	
35	PSP.01.02	COVER SPRING	1	
36	PSP.01.03	COVER COUPLING	1	
37	PSP.01.04	HOSE	1	
38	PSP.01.05	HOSE JOINT B	1	
39	PSP.01.06	SHAFT JOINT A	1	
40	PSP.01.07	SHAFT JOINT B	2	
41	PSP.01.08	FLEXIBLE SHAFT	1	

Nomenclature des pièces
Pompe à câble 5m CPI



**Nomenclature des pièces
Pompe à câble 5m CPI**

ITEM NO.	PARTS NO.	DESCRIPTION	QTY	REMARK
16	PSP.03.01	RETAINING RING	1	
17	PSP.03.02	RING	1	
18	PSP.03.03	SPRING	1	
19	PSP.03.04	SCREW	4	
20	PSP.03.05	SPRING WASHER	4	
21	PSP.03.06	BALL	1	
22	PSP.03.07	HOUSING	1	
23	PSP.03.08	ADAPTOR	1	
24	PSP.03.09	GROOVED BALL BEARING	1	
25	PSP.03.10	RETAINING RING	1	
26	PSP.03.11	FLEXIBLE SHAFT	1	
27	PSP.03.12	SCREW M8X40	4	
28	PSP.03.13	WASHER	2	
29	PSP.03.14	PROTECTIVE FRAME	1	
30	PSP.03.15	NUT M8	4	
31	PSP.03.16	BASE PLATE	1	
32	PSP.03.17	IRON BAR	1	
33	PSP.03.18	ENGINE	1	



**9 rue Panhard et Levassor, ZAC des Cetton
78570 CHANTELOUP-LES-VIGNES
Tél. : 01 39 70 84 50
pompes@cpi-salina.fr
www.cpi-salina.fr**